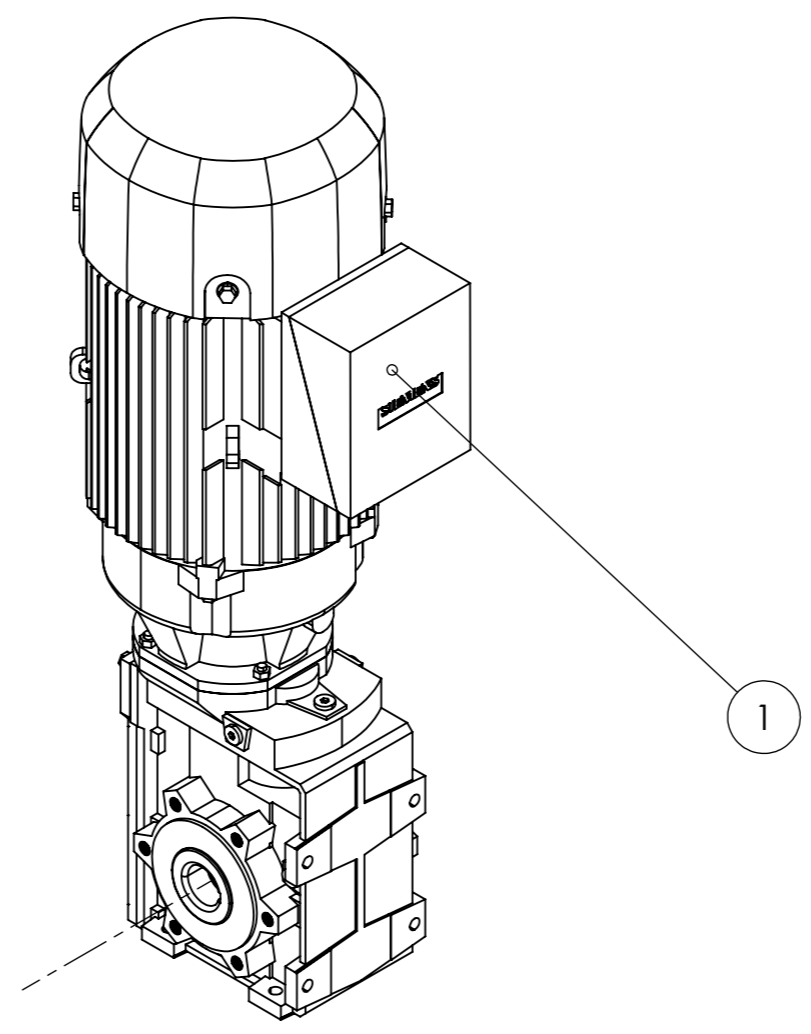
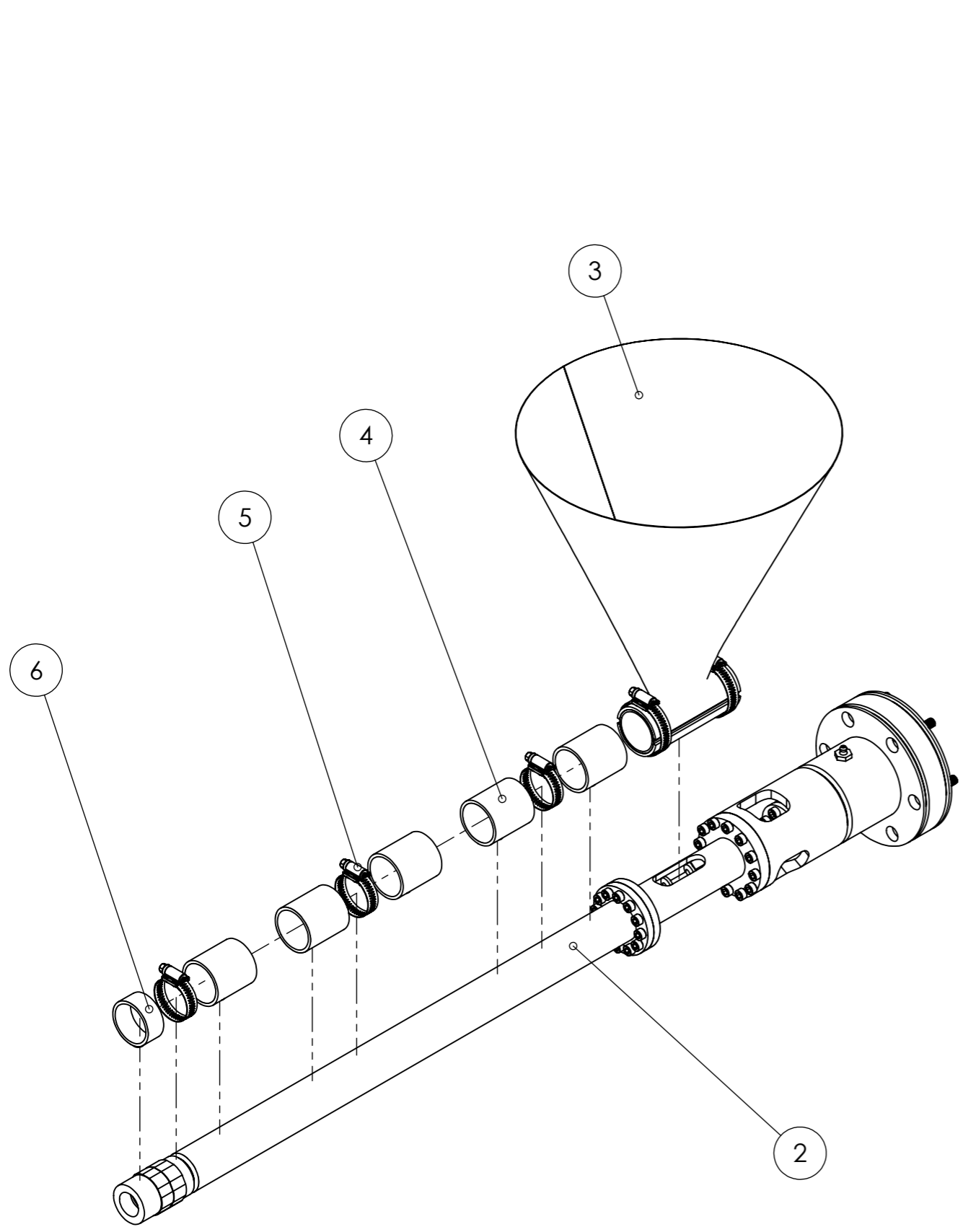


8 7 6 5 4 3 2 1

F
E
D
C
B
A

F
E
D
C
B
A



6	1	Heating element dia. 40x20 mm 150W	EXTPRO-V1 13	-
5	3	Thermocouple type J dia. 40 mm	EXTPRO-V1 12	-
4	5	Heating element dia. 40x50 mm 350W	EXTPRO-V1 11	-
3	1	Cone Hopper	EXTPRO-V1 1200.00	-
2	1	Screw main assembly	EXTPRO-V1 1100.00	-
1	1	Motor BAZ39-LE100ZLSB4P	EXTPRO-V1 01	-
ITEM NO.	QTY.	Part Number	PART NO.	MATERIAL

	Machine Extruder PRO		Description Extruder		
	Projection method: First angle		Release date 07/01/20	Drawing no. EXTPRO-V1 1000.00	Rev. A
	General tolerances ISO 2768-m	Doc. type Assembly	Units unless specified mm	Sheet size A3	Scale 1:5

8 7 6 5 4 3 2 1