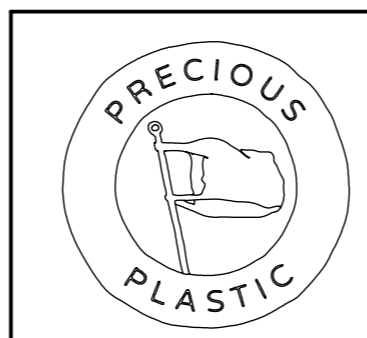
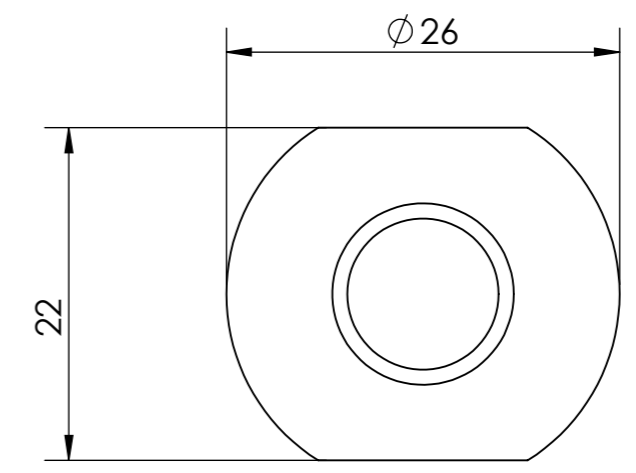
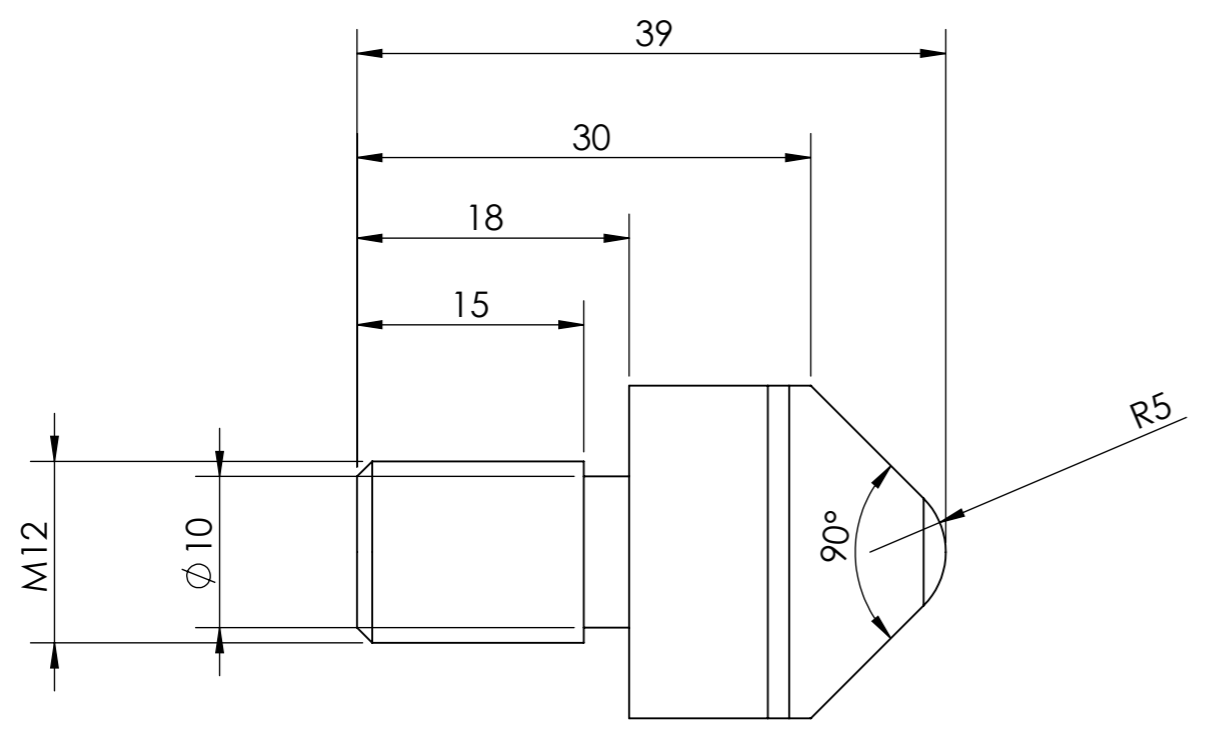
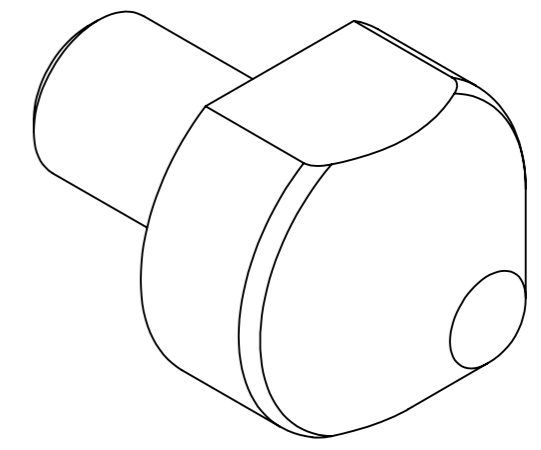
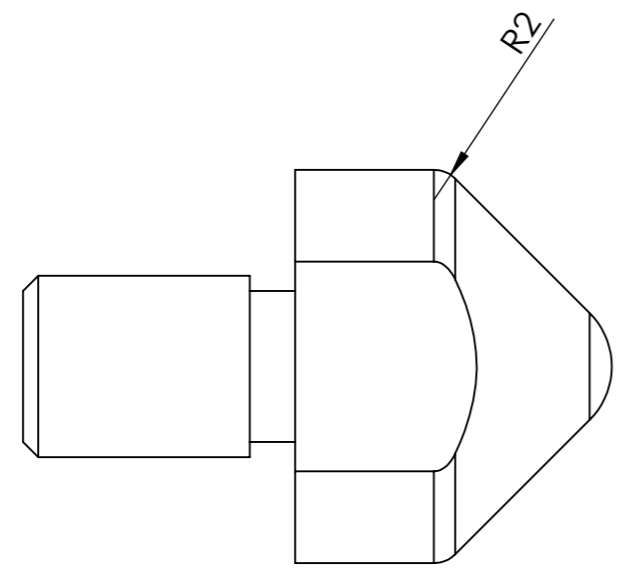


8 7 6 5 4 3 2 1

F
E
D
C
B
A

F
E
D
C
B
A



Weight		0.1 kg		Material		1.7225 (42CrMo4)			
Machine		Extruder PRO		Description				Screw Tip	
Projection method:		First angle		Release date		Drawing no.		Rev.	
				07/01/20		EXTPRO-V1 1100.03		A	
General tolerances		ISO 2768-m		Doc. type		Units unless specified		Sheet size	
				Part		mm		A3	
						Scale		Sheet	
						2:1		1 / 1	

8 7 6 5 4 3 2 1