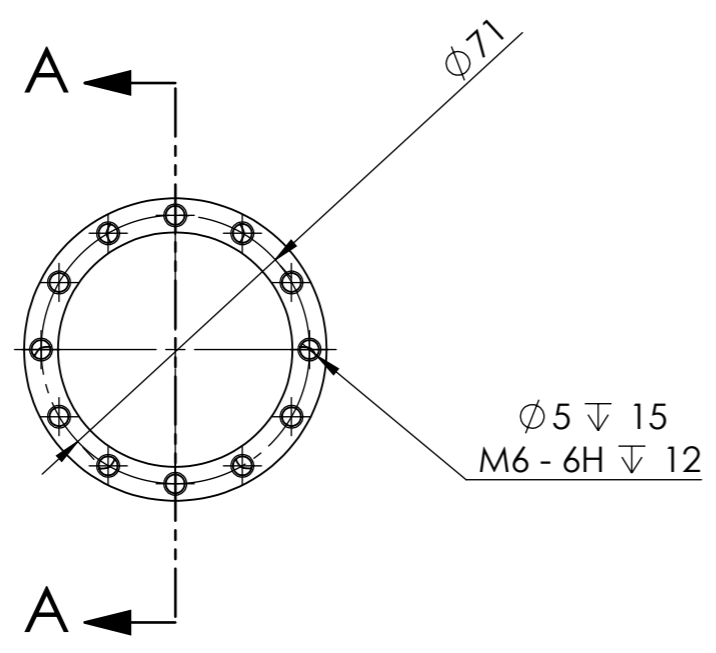


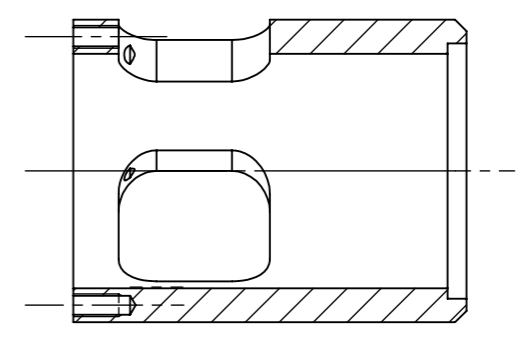
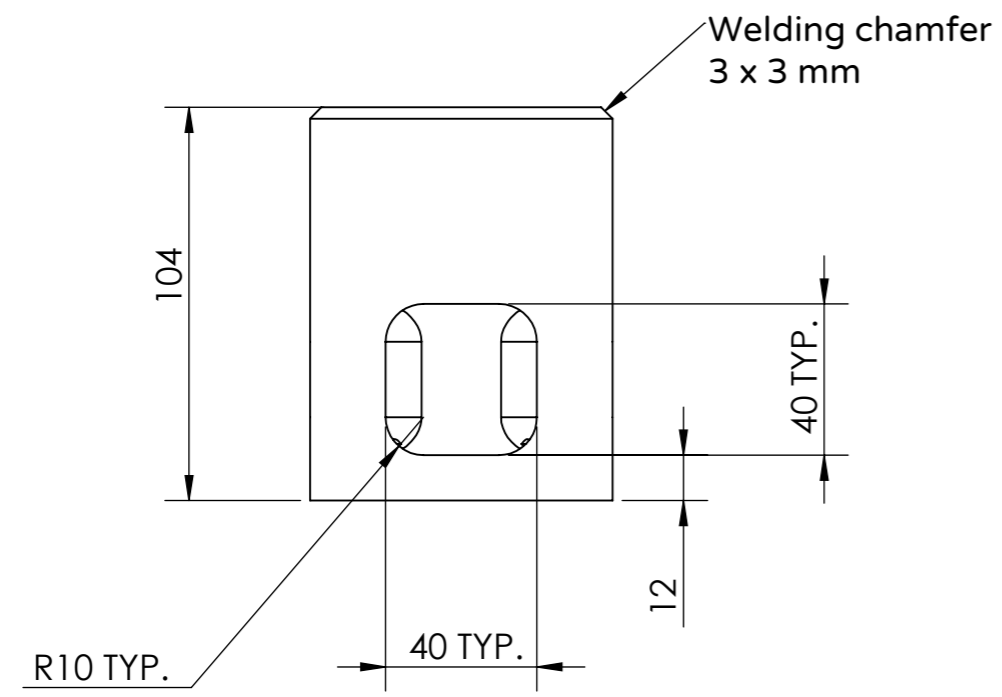
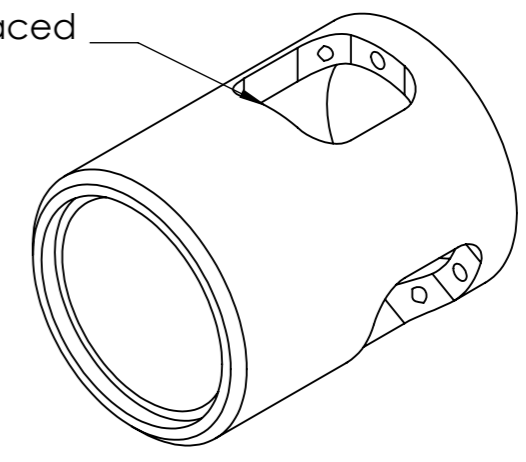
8 7 6 5 4 3 2 1

F
E
D
C
B
A

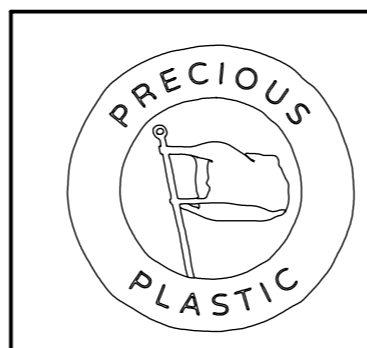
F
E
D
C
B
A



Cutouts equally spaced of 120° (3X)



SECTION A-A



Weight		1.2 kg		Material		Mild Steel			
Machine		Extruder PRO		Description				Transition piece	
Projection method:		First angle		Release date		Drawing no.		Rev.	
				07/01/20		EXTPRO-V1 1121.01		A	
General tolerances		ISO 2768-m		Doc. type		Units unless specified		Sheet	
				Part		mm		A3	
				Scale		1:10		1 / 1	

8 7 6 5 4 3 2 1