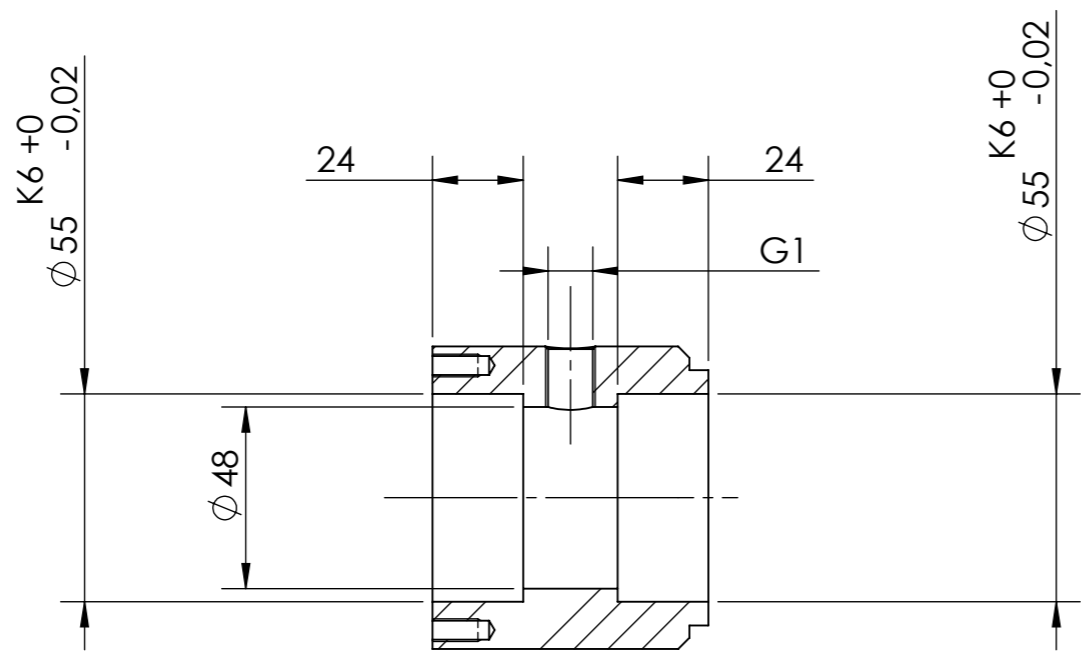


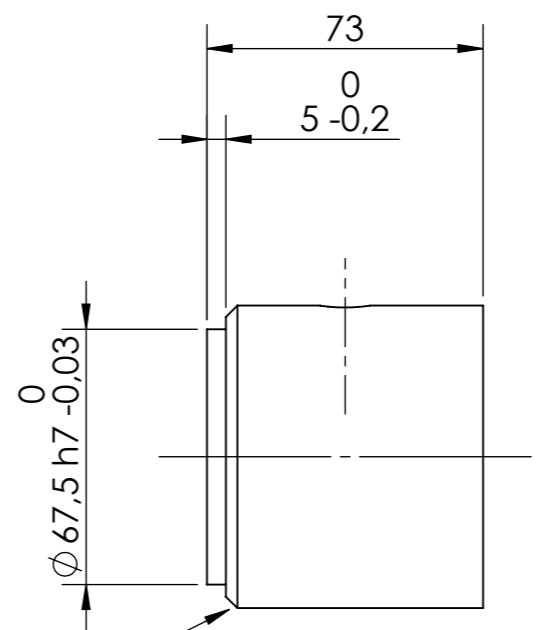
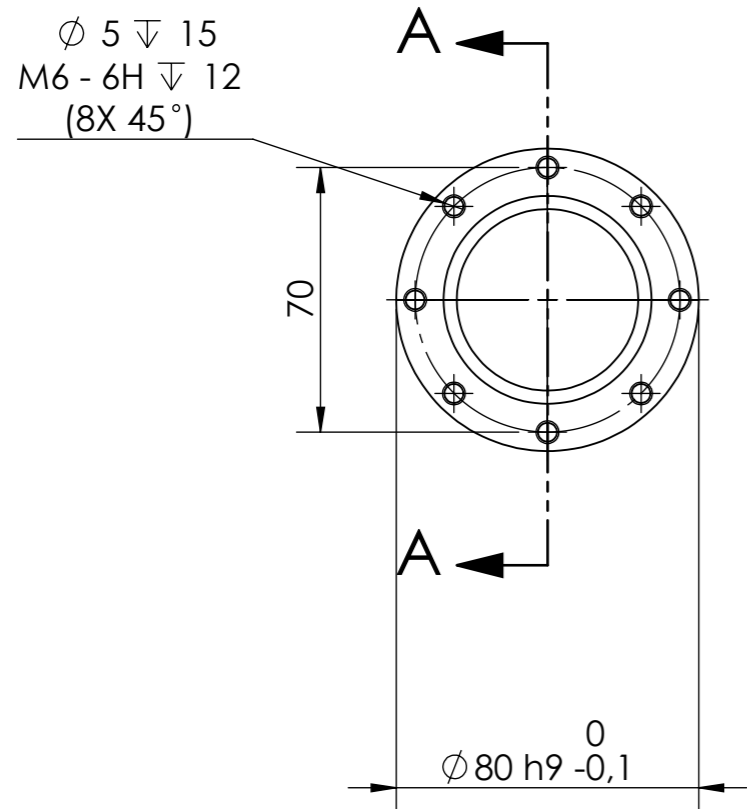
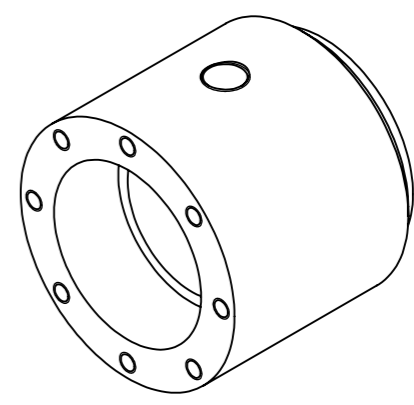
8 7 6 5 4 3 2 1

F
E
D
C
B
A

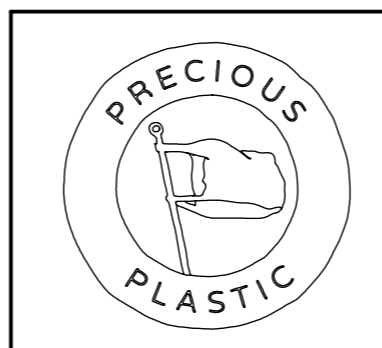
F
E
D
C
B
A



SECTION A-A



Welding Chamfer 3x3 mm



Weight		1.5 kg		Material		Mild Steel	
Machine		Extruder PRO		Description			
Projection method:		First angle		Release date		Drawing no.	
General tolerances		ISO 2768-m		07/01/20		EXTPRO-V1 1121.02	
Doc. type		Part		Units unless specified		Sheet size	
Scale		1:10		mm		A3	
Sheet		1 / 1		Rev.		A	

8 7 6 5 4 3 2 1