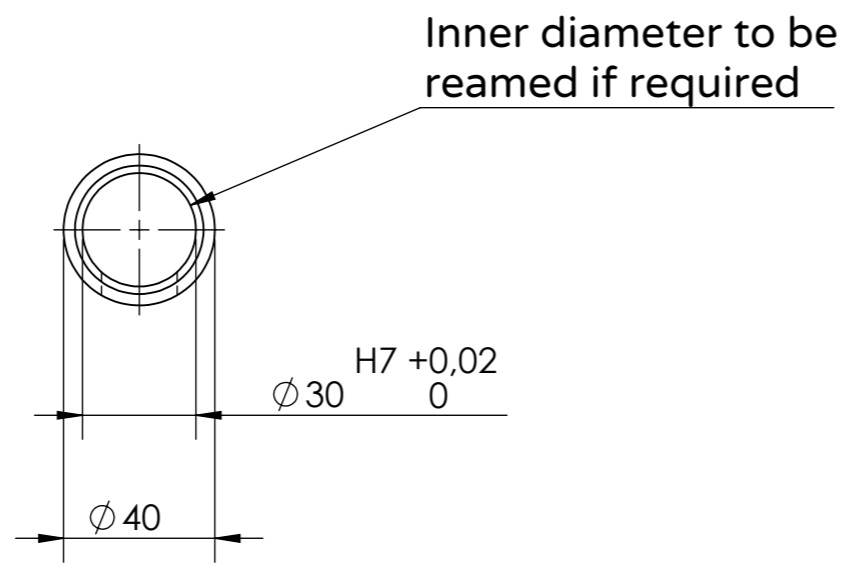
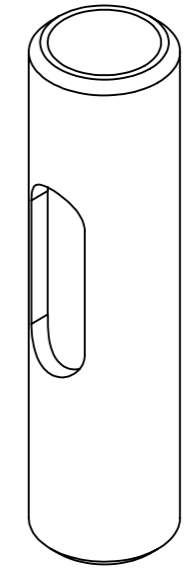
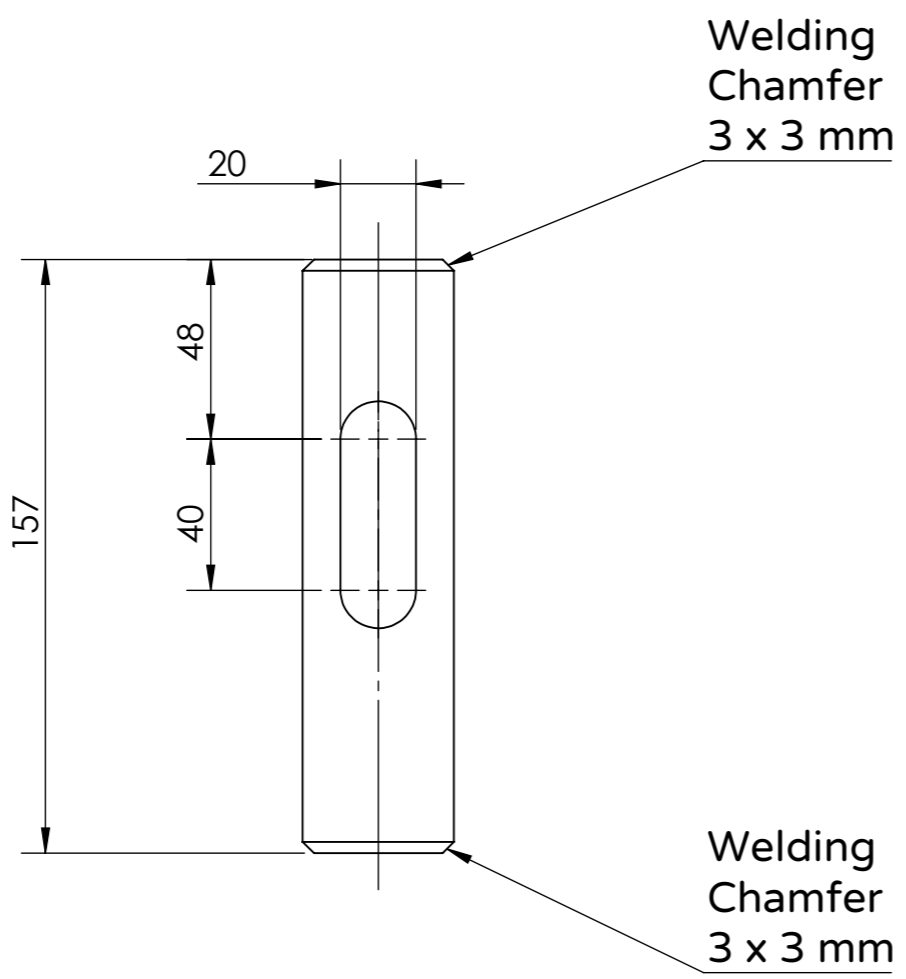


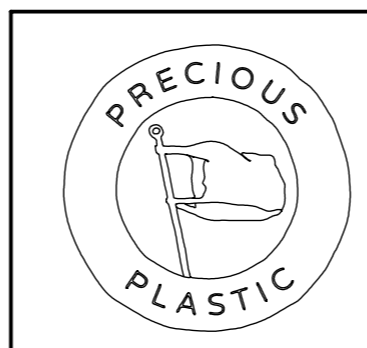
8 7 6 5 4 3 2 1

F
E
D
C
B
A

F
E
D
C
B
A



Stock material: Seamless tube 40 x 5 mm, according to DIN 2391 standard



Weight		0.6 kg		Material		Mild Steel		
Machine		Extruder PRO		Description				Barrel inlet
Projection method:		First angle		Release date		Drawing no.		Rev.
				07/01/20		EXTPRO-V1 1130.01		A
General tolerances		ISO 2768-m		Doc. type		Units unless specified		Sheet size
				Part		mm		A3
						Scale		Sheet
						1:10		1 / 1

8 7 6 5 4 3 2 1