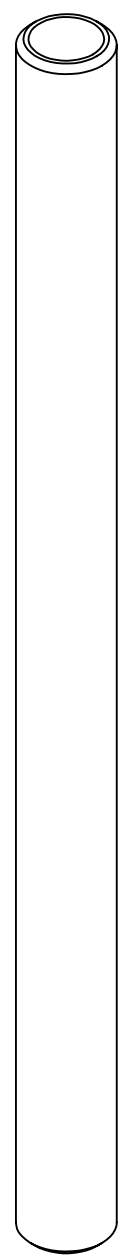
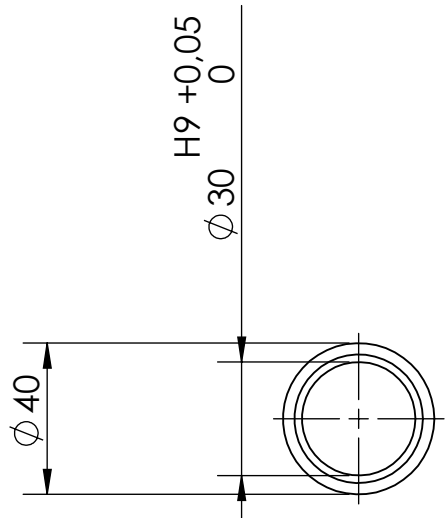
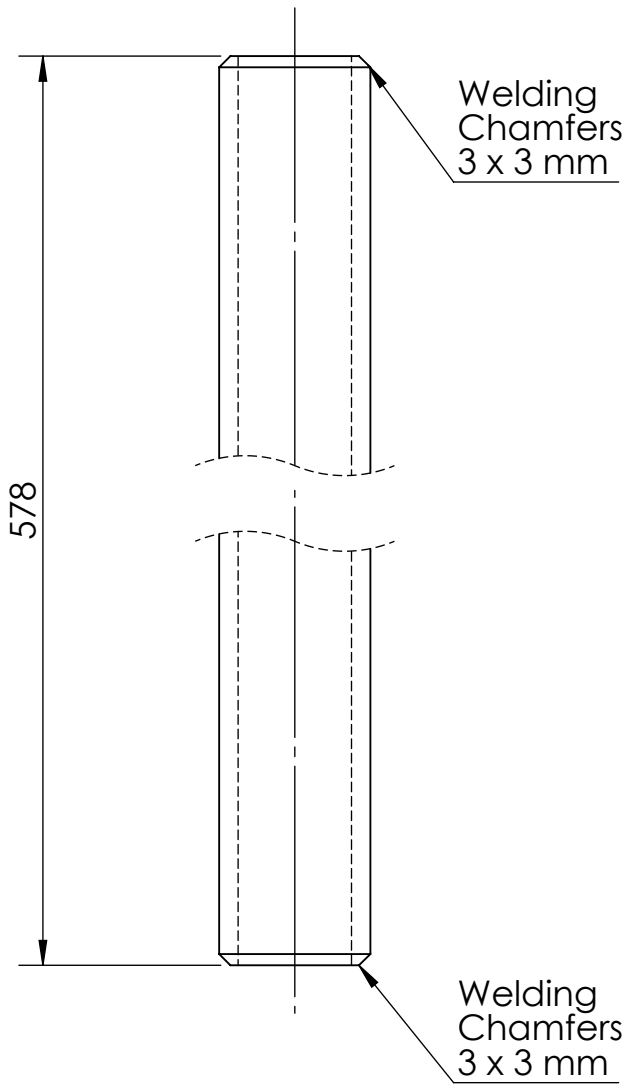


8 7 6 5 4 3 2 1

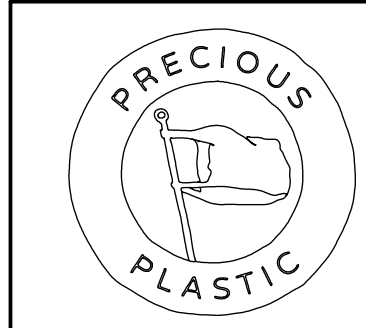
F  
E  
D  
C  
B  
A

F  
E  
D  
C  
B  
A



Tube has to have a loose fit with the screw. Use a hand reamer (30 mm H9) if necessary to clean up the inner

Stock material: Seamless tube according to DIN 2391, outside diameter: 40 mm, Wall thickness: 5 mm



Weight		2.5 kg		Material		Mild Steel			
Machine		Extruder PRO		Description				Barrel	
Projection method:		First angle		Release date		Drawing no.		Rev.	
				07/01/20		EXTPRO-V1 1140.01		A	
General tolerances		ISO 2768-m		Doc. type		Units unless specified		Sheet size	
				Part		mm		A3	
						Scale		Sheet	
						1:10		1 / 1	

8 7 6 5 4 3 2 1