

8 7 6 5 4 3 2 1

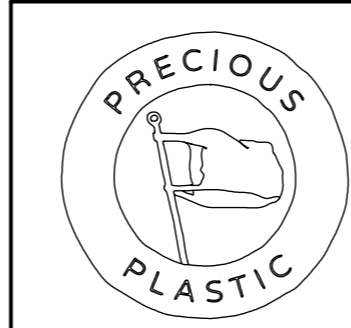
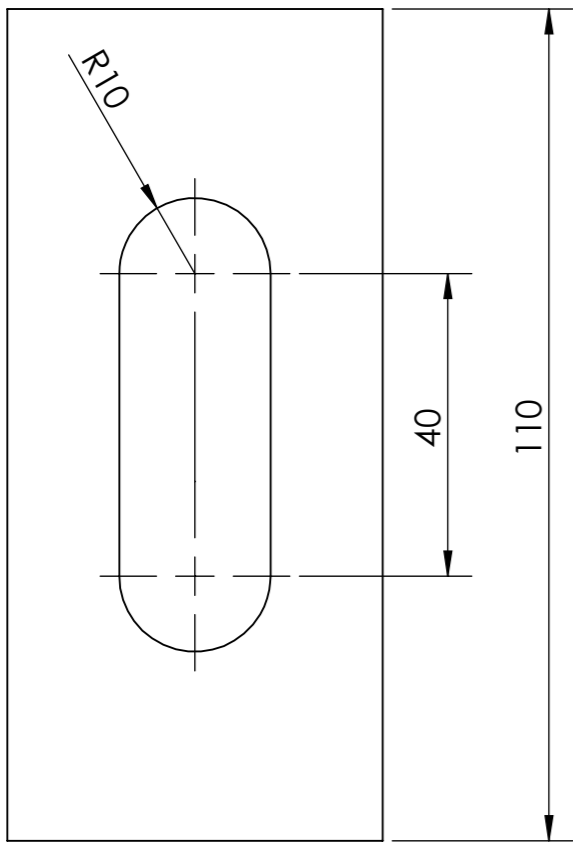
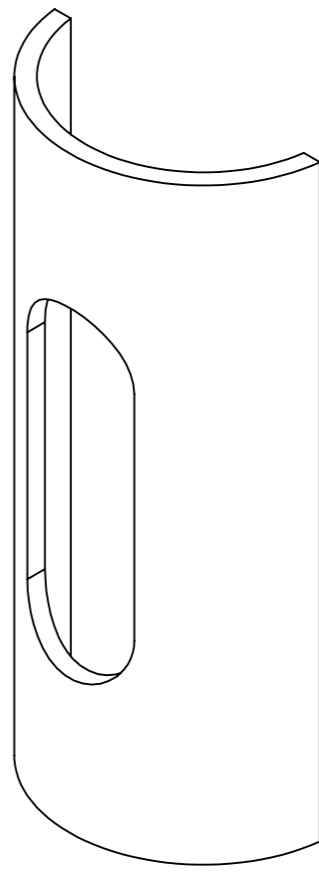
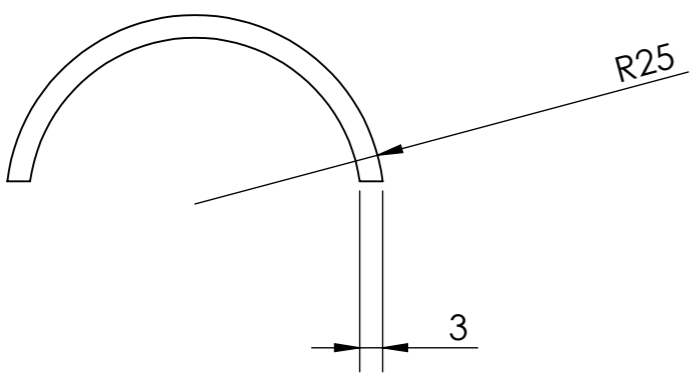
F
E
D
C
B
A

F
E
D
C
B
A

NOTES :

THIS PART IS MADE OUT OF A 50 MM DIAMETER PIPE CUT IN HALF ON THE LENGHT

THE OTHER HALF IS USED FOR THE PART : EXTPRO-V1 1200.02



Weight		0.6 kg		Material		Mild Steel			
Machine		Extruder PRO		Description				Top	
Projection method:		First angle		Release date		Drawing no.		Rev.	
				07/01/20		EXTPRO-V1 1200.01		A	
General tolerances		ISO 2768-m		Doc. type		Units unless specified		Sheet size	
				Part		mm		A3	
						Scale		Sheet	
						1:1		1 / 1	

8 7 6 5 4 3 2 1