

8 7 6 5 4 3 2 1

F F

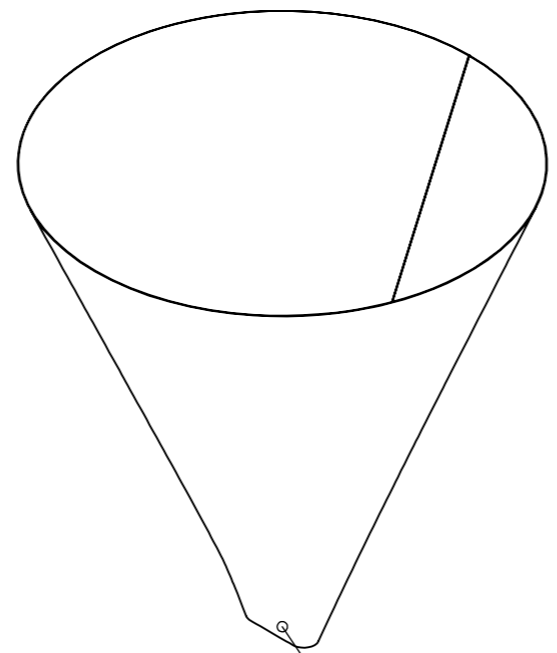
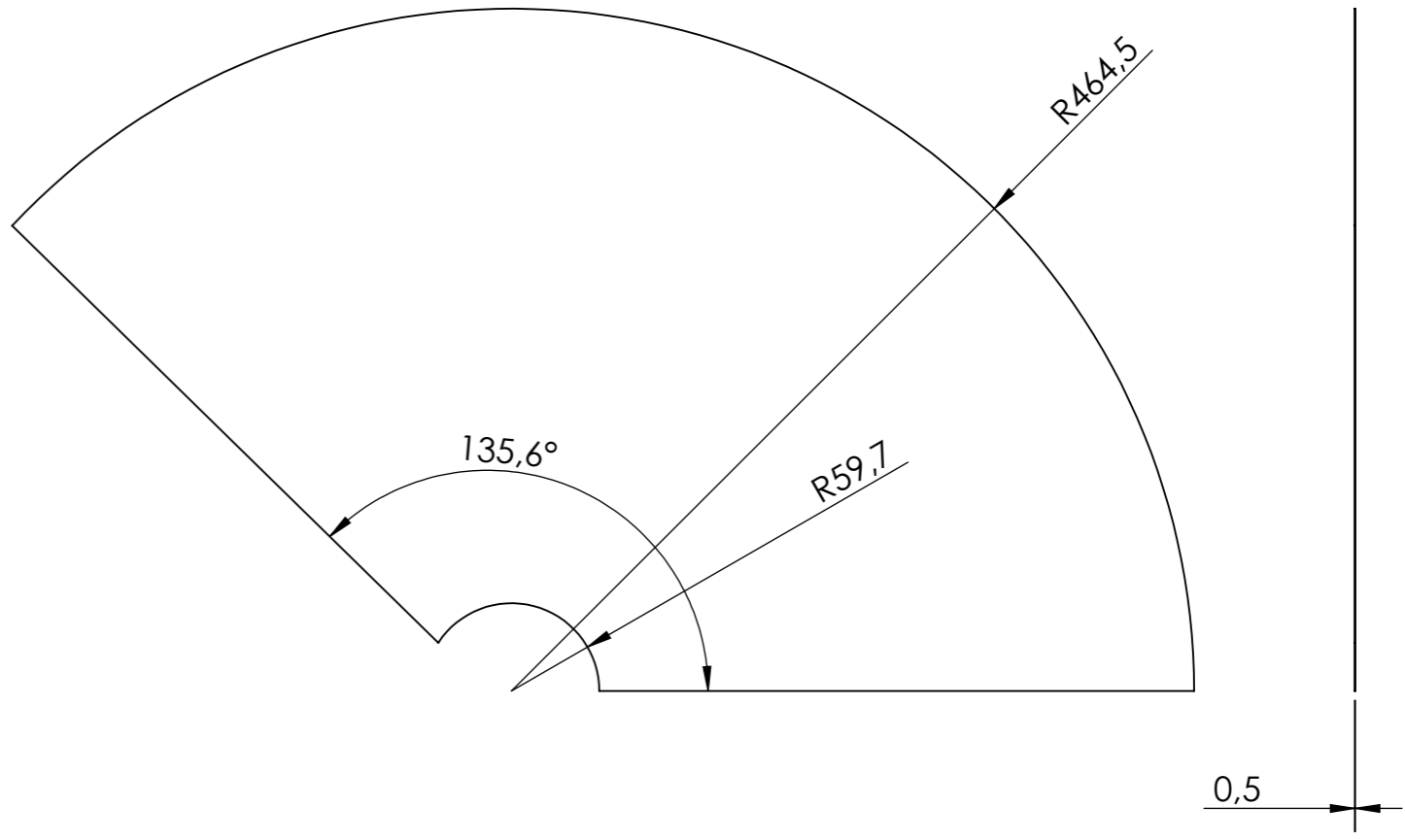
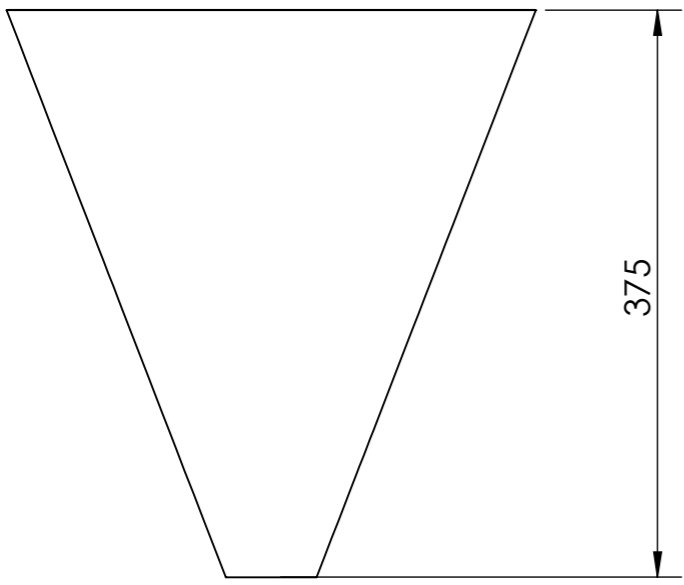
E E

D D

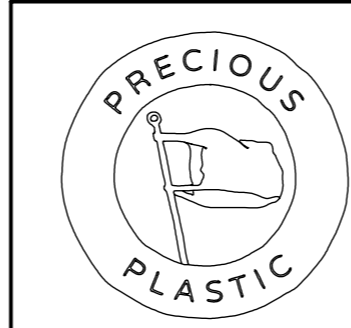
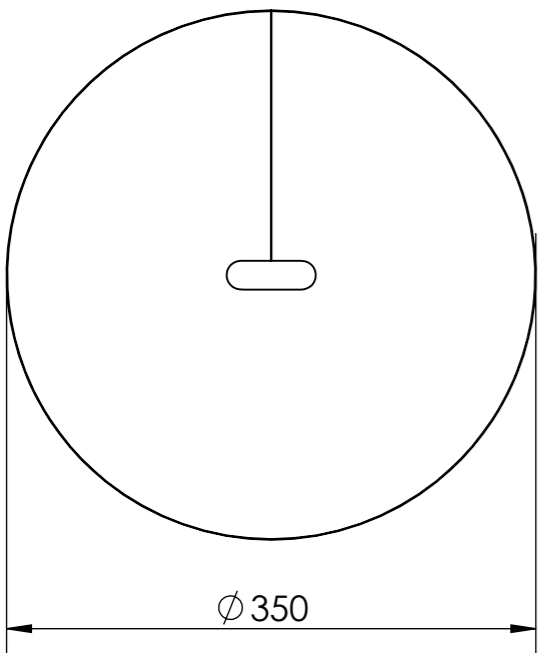
C C

B B

A A



NOTE :  
TO BEND MANUALLY TO FIT THE HALF TUBE INLET



Weight		0.6 kg		Material		0.5 mm thick steel sheet		
Machine		Extruder PRO		Description				Cone hopper
Projection method:		First angle		Release date		Drawing no.		Rev.
				07/01/20		EXTPRO-V1 1200.04		A
General tolerances		ISO 2768-m		Doc. type		Units unless specified		Sheet
				Part		mm		1 / 1
						Sheet size		Scale
						A3		1:5

8 7 6 5 4 3 2 1