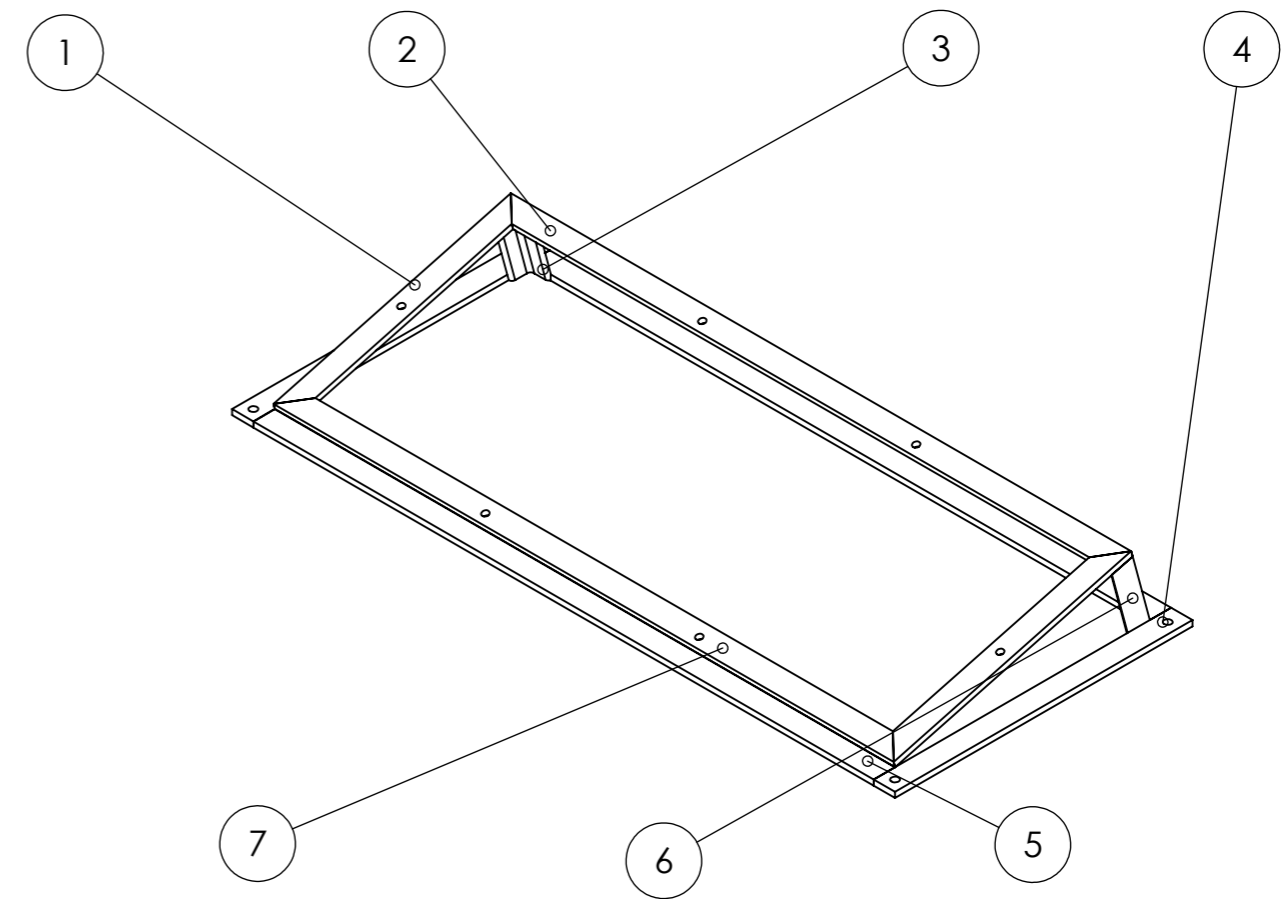
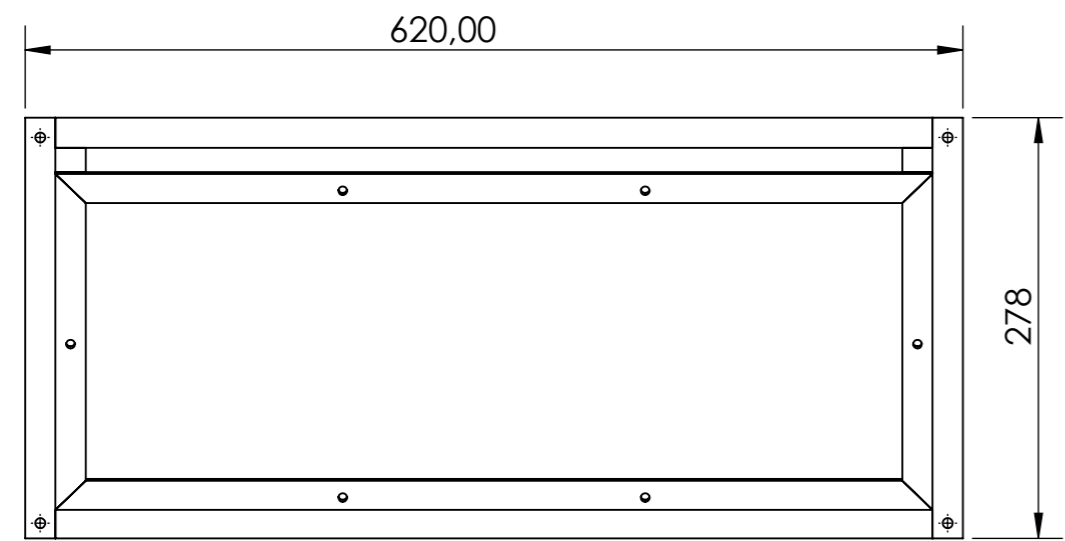
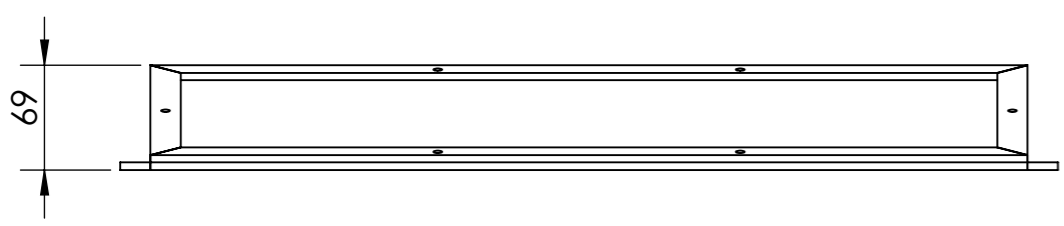


8 7 6 5 4 3 2 1

F  
E  
D  
C  
B  
A

F  
E  
D  
C  
B  
A



ITEM NO.	QTY.	DESCRIPTION	LENGTH	ANGLE1	ANGLE2	MATERIAL
7	1	Flat bar 20 x 5 mm	580	45°	45°	Mild steel
6	1	L angle 20 x 20 x 3 mm	66,5	-	0°	Mild steel
5	2	Flat bar 20 x 5	580	0°	0°	Mild steel
4	2	Flat bar 20 x 5 mm	278	0°	0°	Mild steel
3	1	L angle 20 x 20 x 3 mm	66,5	-	0°	Mild steel
2	1	Flat bar 20 x 5 mm	580	45°	45°	Mild steel
1	2	Flat bar 20 x 5 mm	230	45°	45°	Mild steel

Weight	<b>2,6 kg</b>	Material	<b>Mild Steel</b>			
--------	---------------	----------	-------------------	--	--	--

Machine	<b>Extruder PRO</b>	Description				<b>Electronics box support</b>
---------	---------------------	-------------	--	--	--	--------------------------------

Projection method:	<b>First angle</b>	Release date	07/11/20	Drawing no.	EXTPRO-V1 2000.01	Rev.	A
--------------------	--------------------	--------------	----------	-------------	-------------------	------	---

General tolerances	<b>ISO 2768-m</b>	Doc. type	<b>Part</b>	Units unless specified	<b>mm</b>	Sheet size	<b>A3</b>	Scale	<b>1:5</b>	Sheet	<b>1 / 2</b>
--------------------	-------------------	-----------	-------------	------------------------	-----------	------------	-----------	-------	------------	-------	--------------

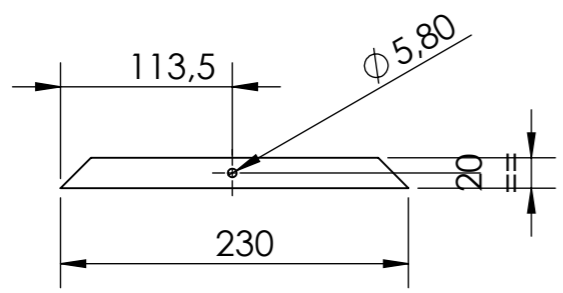


8 7 6 5 4 3 2 1

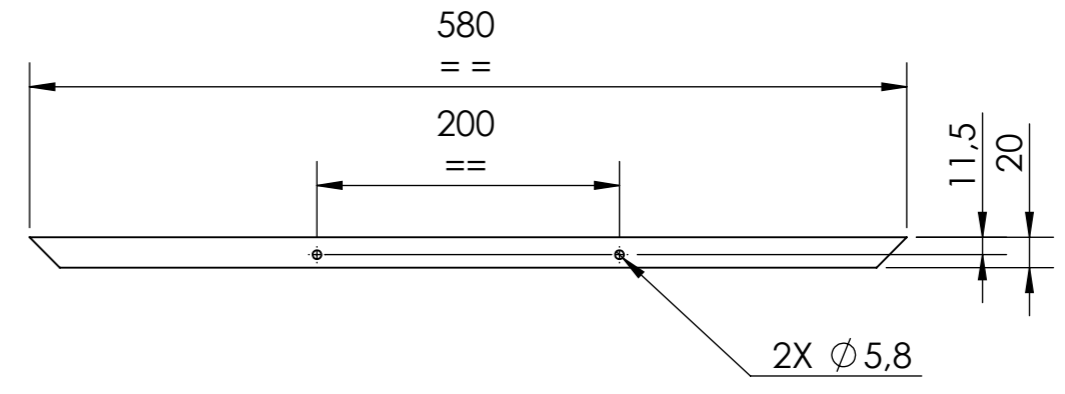
8 7 6 5 4 3 2 1

F  
E  
D  
C  
B  
A

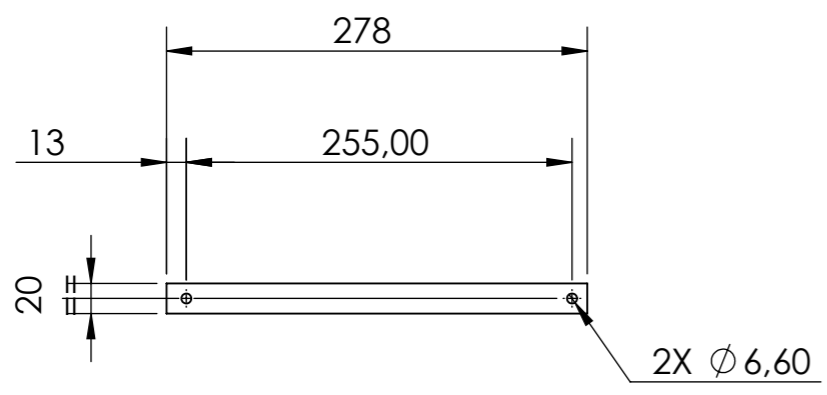
F  
E  
D  
C  
B  
A



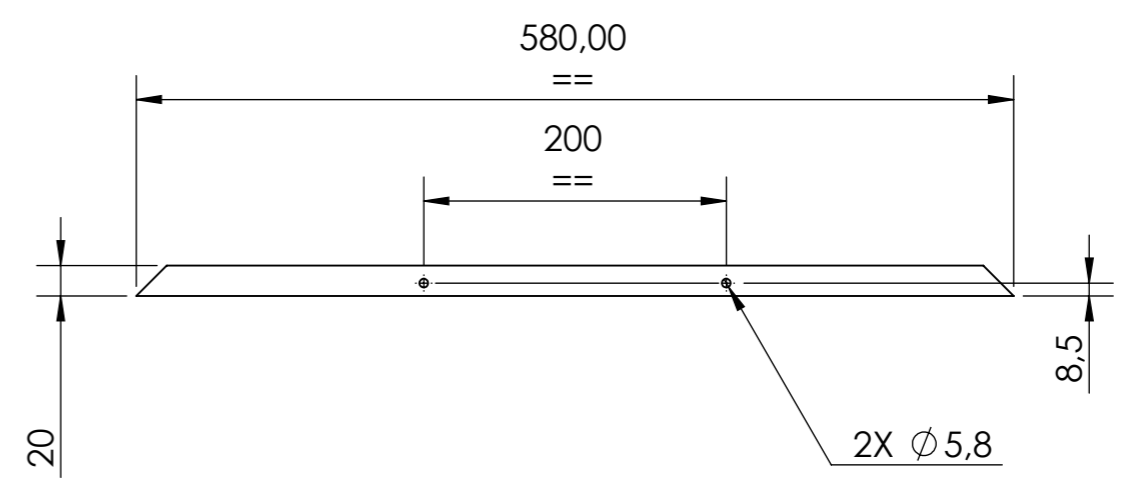
ITEM 1 : FLAT BAR 20 X 5 MM



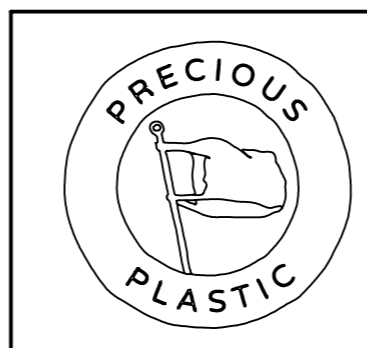
ITEM 2 : FLAT BAR 20 X 5 MM



ITEM 4 FLAT BAR 20 X 5 MM



ITEM 7: FLAT BAR 20 X 5 MM



Weight		2,6 kg		Material		Mild Steel			
Machine		Extruder PRO		Description				Electronics box support	
Projection method:		First angle		Release date		Drawing no.		Rev.	
				07/11/20		EXTPRO-V1 2000.01		A	
General tolerances		ISO 2768-m		Doc. type		Units unless specified		Sheet	
				Part		mm		A3	
						Scale		1:5	
						Sheet size		2 / 2	

8 7 6 5 4 3 2 1