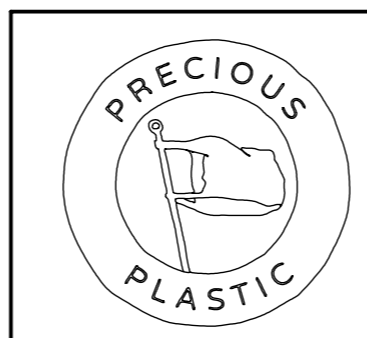
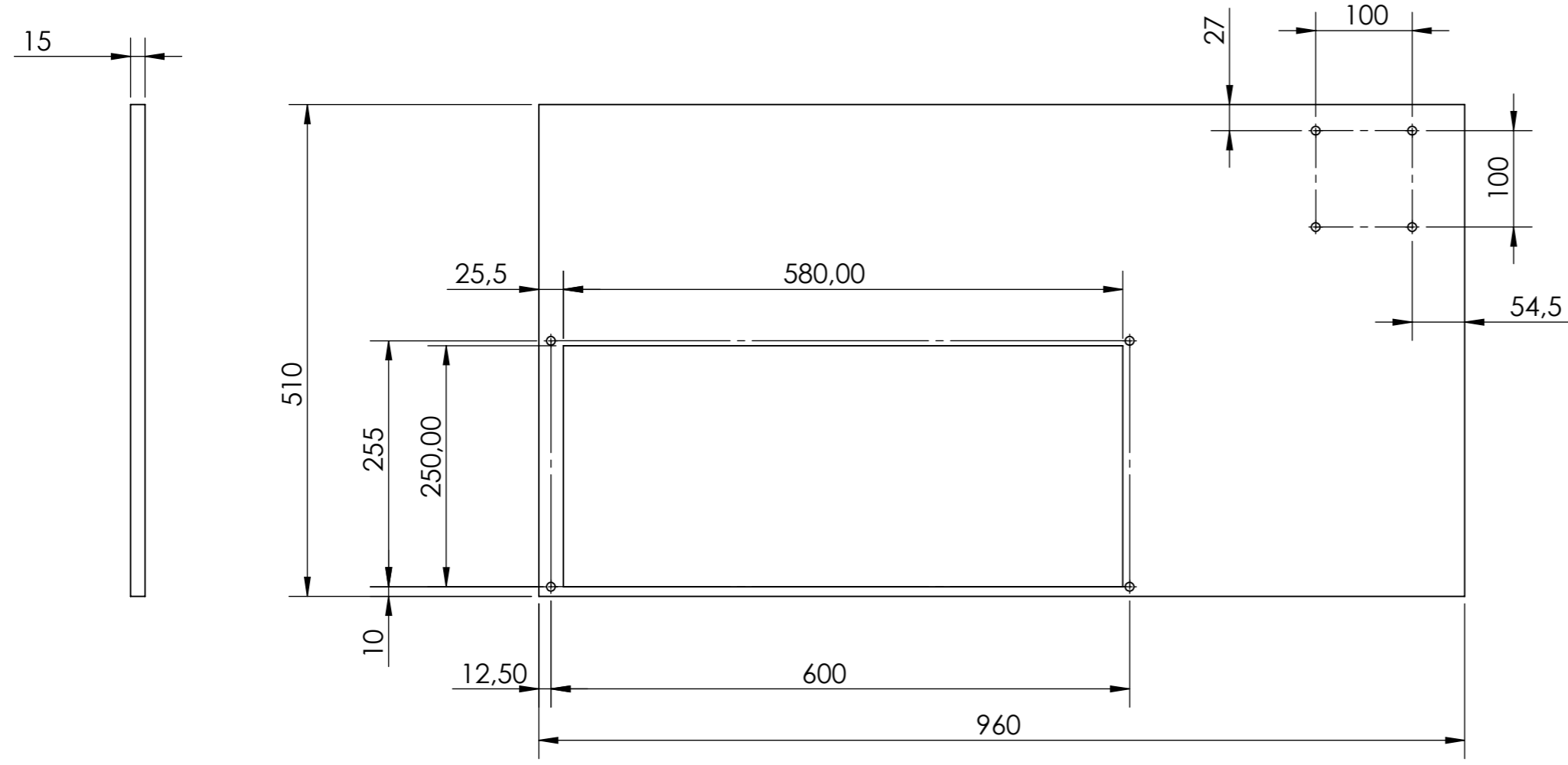
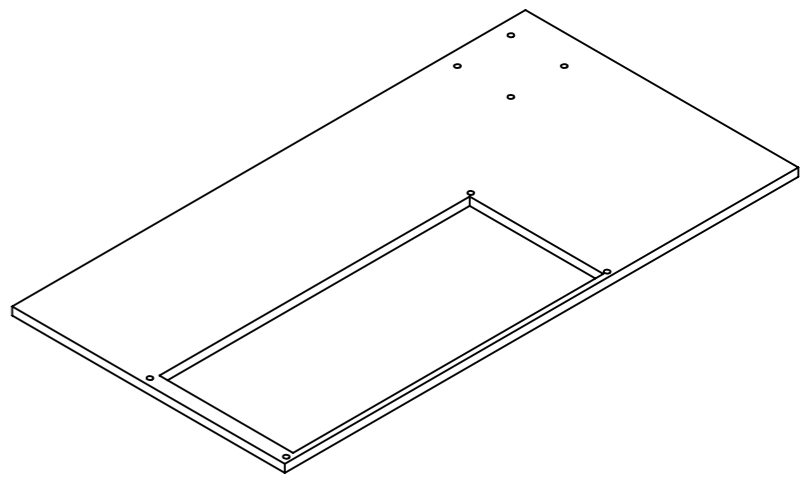


8 7 6 5 4 3 2 1

F  
E  
D  
C  
B  
A

F  
E  
D  
C  
B  
A



Weight		1 kg		Material		Plywood			
Machine		Extruder PRO		Description				Top shelf	
Projection method:		First angle		Release date		Drawing no.		Rev.	
				07/01/20		EXTPRO-V1-3000.02		A	
General tolerances		Doc. type		Units unless specified		Sheet size		Scale	
		Part		mm		A3		1:6	
								Sheet	
								1 / 1	

8 7 6 5 4 3 2 1